

**TECNO  
GARDEN**

**ESPLOSO**  
**Soffiatore**  
**EB650E**



FIGURE 1

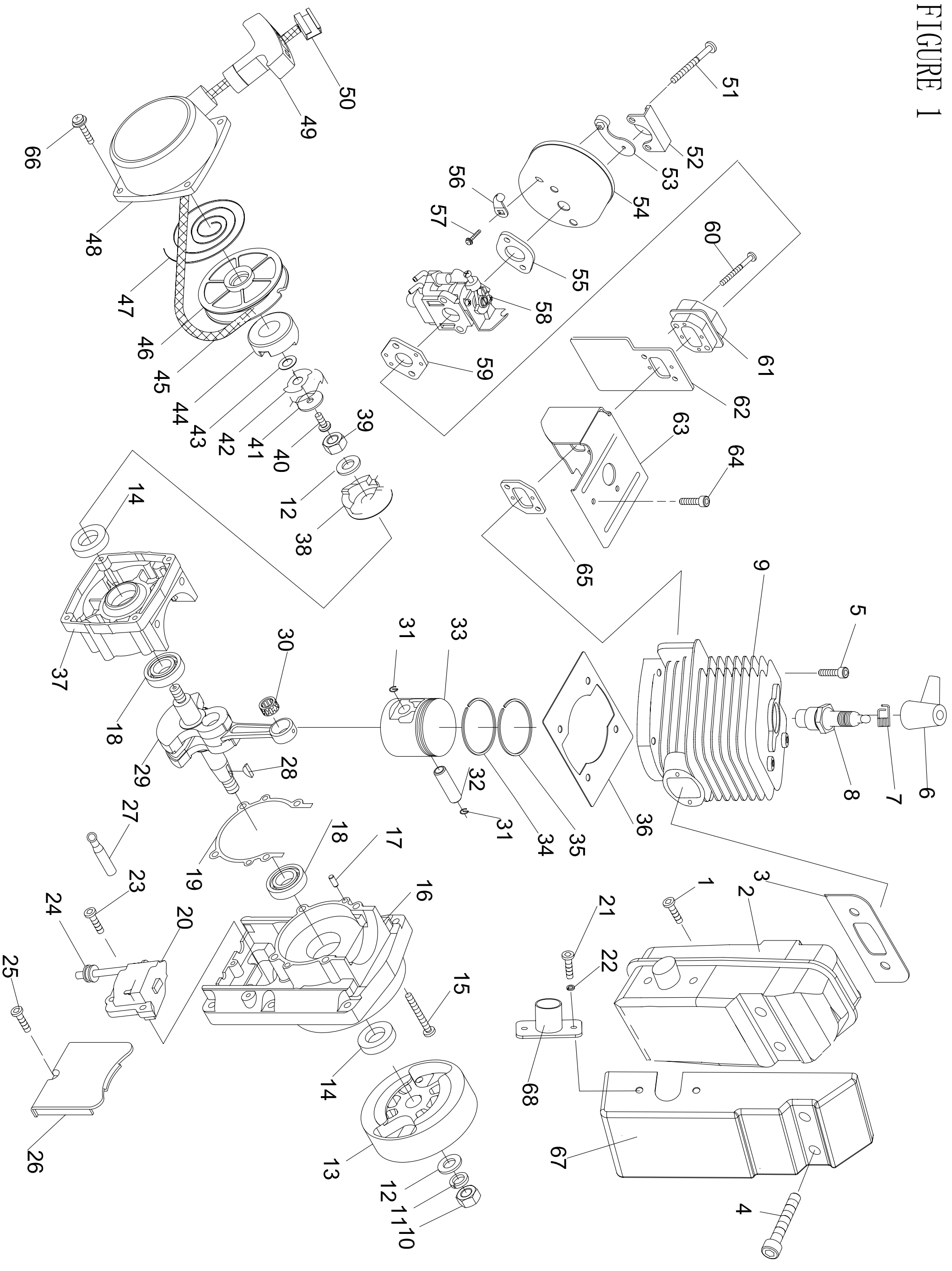
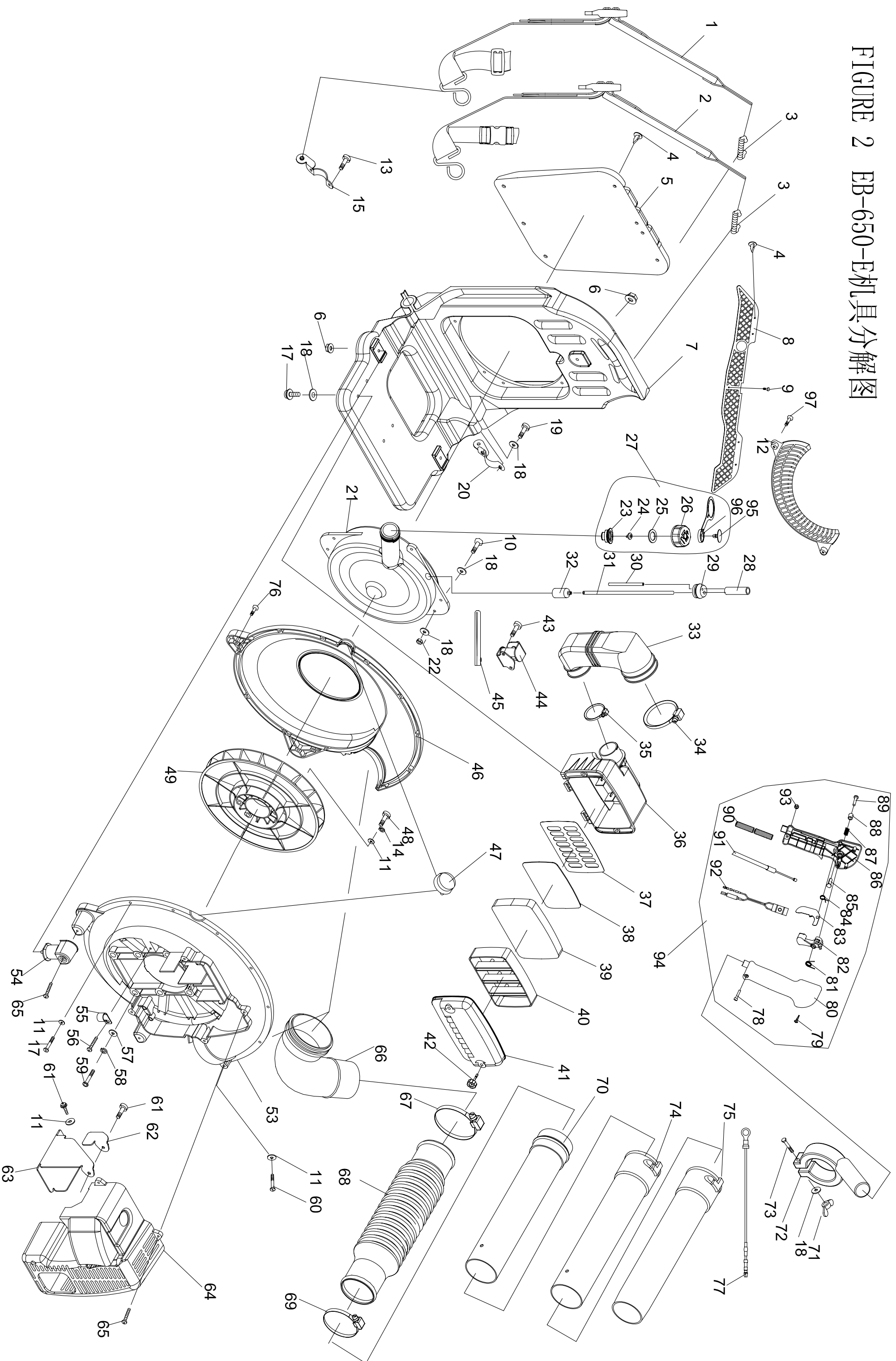




FIGURE 2 EB-650-E机具分解图



附图2 零部件清单 (EB-650-E) Appendix List of Attached Fig. 2 (EB-650-E)

序号 Ser.NO.	代号 Part NO.	名称 Part Name	数量 Qty.	序号 Ser.NO.	代号 Part NO.	名称 Part Name	数量 Qty.	序号 Ser.NO.	代号 Part NO.	名称 Part Name	数量 Qty.	序号 Ser.NO.	代号 Part NO.	名称 Part Name	数量 Qty.
2-1	EB-650.10(B)-CE	左背带组合 LEFT BAND	1	2-30	GB/T13527.1 LS-3	回油管LS-2X1.5X660 FUEL TUBE LS-2X1.5X660	1	2-62	EB-650-8(A)-1	压板 PLATE	1	2-91	3WF-16.3.2.2	油门绳 FUEL THROTTLE	1
2-2	EB-650.10(A)-CE	右背带组合 RIGHT BAND	1	2-31	GB/T13527.1 LS-2	进油管LS-3X1.5X800 TUBE LS-3X1.5X800	1	2-63	EB-650-8(A)-2	隔热板 PLATE	1	2-92	3WF-16.3.2.1	停车开关组合 STOP SWITCH	1
2-3	EB-650-10	背带挂轴 SHAFT	2	2-32	P40.12.2-3A	过滤器 FILTER	1	2-64	EB-650-8	防护罩 PROTECTION	1	2-93	GB/T889.1 M5	螺母 NUT	1
2-4	3WF-2.6B-2	塑料卡子 BACK CLIP	11	2-33	EB-650-1	进气筒 PIPE	1	2-65	3WF-20.9-2	螺钉M5X16 SCREW	11	2-94	3WF-16.3.2	操纵盒组装 MANIPULATOR ASSEM	1
2-5	EB-650.11	背垫组合 BACK MAT	1	2-34	NO.( $\phi$ 46~ $\phi$ 70)	喉箍 CLIP	1	2-66	EB-650.7-1	风机接头 PAN JOINT	1	2-95	3WF-3C.1.2-3	塑料卡 PLASTIC CLIP	1
2-6	GB6177.1 M5	螺母 NUT	3	2-35	NO.( $\phi$ 32~ $\phi$ 50)	喉箍 CLIP	1	2-67	NO.( $\phi$ 78~ $\phi$ 101)	喉箍 CLIP	1	2-96	3WF-3C.1.2-2	防脱链 CHAIN	1
2-7	EB-650.1-2	机架 FRAME	1	2-36	EB-650.5.2	空滤器内罩组合 CLEANER INSIDE COVER	1	2-68	EB-650.7-2	软管 HOSE	1	2-97	GB/T 848 ST4.8X25	自攻螺钉 SCREW	2
2-8	EB-650-11	防护网(一) PROTECT NET	1	2-37	EB-650.5.1	支撑板组合 PLATE	1	2-69	NO.( $\phi$ 59~ $\phi$ 82)	喉箍 CLIP	1				
2-9	GB845 ST4.2X14	自攻螺钉 SCREW	1	2-38	EB-650.5-4	滤芯乙 ELEMENT	1	2-70	EB-650.7.1	吹风管(一)组合 PIPE	1				
2-10	GB818 M5X25	螺栓 BOLT	7	2-39	EB-650.5-3	滤芯甲 ELEMENT	1	2-71	GB62 M6	螺母 NUT	1				
2-11	GB97.1 5	垫圈 WASHER	12	2-40	EB-650.5-2	支架 FRAM	1	2-72	EB-650.7.2(A)-1	手把 HANDLE	1				
2-12	EB-650-12	防护网(二) PROTECT NET	1	2-41	EB-650.5-1	空滤器外罩 CLEANER OUTSIDE COVER	1	2-73	GB5783 M6X45	螺栓 SCREW BOLT	1				
2-13	GB/T9074.4 M5X30	螺栓 BOLT	2	2-42	EB-650.5.3	锁紧螺栓 SCREW	2	2-74	EB-650.7-3	吹风管(二) PIPE	1				
2-14	GB859 5	垫圈 WASHER	4	2-43	GB9074.4 M5X14	螺钉组合件 SCREW	4	2-75	EB-650-E.5-1	吹风管(三) PIPE	1				
2-15	EB-650.1-1	左背带钩架 LEFT LOOP	1	2-44	EB-650.8	减振柱组合 RUBBER PILLAR	1	2-76	GB/T 848 ST4.8X25	自攻螺钉 SCREW	3				
2-16			1	2-45	EB-650.9	保险带组合 SAFETY BELT	1	2-77	3WF-16.5	短接地线 EARTH LINE	1				
2-17	GB818 M5X16	螺栓 BOLT	9	2-46	EB-650.2.3	后半蜗壳组合 VOLUTE CASE	1	2-78	GB/T70.1 M5X30	螺钉 SCREW	1				
2-18	GB96 5	垫圈 WASHER	20	2-47	EB-650.2-1	柱塞 PLUG	1	2-79	GB/T845 ST2.9X18	自攻螺钉 SCREW	3				
2-19	GB/T818 M5X20	螺栓 BOLT	2	2-48	GB/T70.1 M5X35	螺栓 BOLT	4	2-80	BL750.3-5	右操纵盒 RIGHT MANIPULATOR	1				
2-20	EB-650.1-4	右背带钩架 RIGHT LOOP	1	2-49	EB-650.2.1	叶轮组合 IMPELLER	1	2-81	BL750.3-1	长扭簧 LONG SPRING	1				
2-21	EB-650.3-1	油箱 FUEL TANK	1	2-53	EB-650.2.2-3	前半蜗壳 VOLUTE CASE	1	2-82	BL750.3-4	操纵手柄 HANDLE	1				
2-22	GB6177 M5	螺母 NUT	7	2-54	EB-650.6	支撑柱组合 SUPPORT	2	2-83	BL750.3-3	自锁手柄 HANDLE	1				
2-23	1E32FL.6.2-2	油箱内盖 LID	1	2-55	EB-650-2	高压线支架 BRACKET	1	2-84	BL750.3-2	自锁扭簧 SPRING	1				
2-24	EB-415.4.1.1-1	进气嘴 AIRVALVE	1	2-56	3WF-20.9-1 M5X10	螺钉M5X10 SCREW	1	2-85	BL750.3-8	锁紧销 PIN	1				
2-25	CG420.1.3.1	密封胶 SEALING WASHER	1	2-57	GB97.1 6	垫圈 WASHER	6	2-86	BL750.3-6	左操纵盒 LEFT MANIPULATOR	1				
2-26	EB-650-CE.1-1	油箱盖 FUEL TANK LID	1	2-58	GB859 6	垫圈 WASHER	6	2-87	BL750.3-7	锁紧弹簧 SPRING	1				
2-27	EB-650-CE.1	油箱盖组合 FUEL TANK LID	1	2-59	GB70.1 M6X35	螺栓 BOLT	6	2-88	BL750.3-9	按钮 PUSH BUTTON	1				
2-28	EB-650.3-2	油管套 VITTA CONVENTION	1	2-60	GB818 M5X55	螺栓 BOLT	2	2-89	GB/T846 ST2.9X13	自攻螺钉 SCREW	2				
2-29	EB-415.4.2-2	油管塞 VITTA PLUG	1	2-61	GB845 ST4.2X9.5	自攻螺钉 SCREW	2	2-90	3WF-16.3.2-1	护套管 TUBE	1				